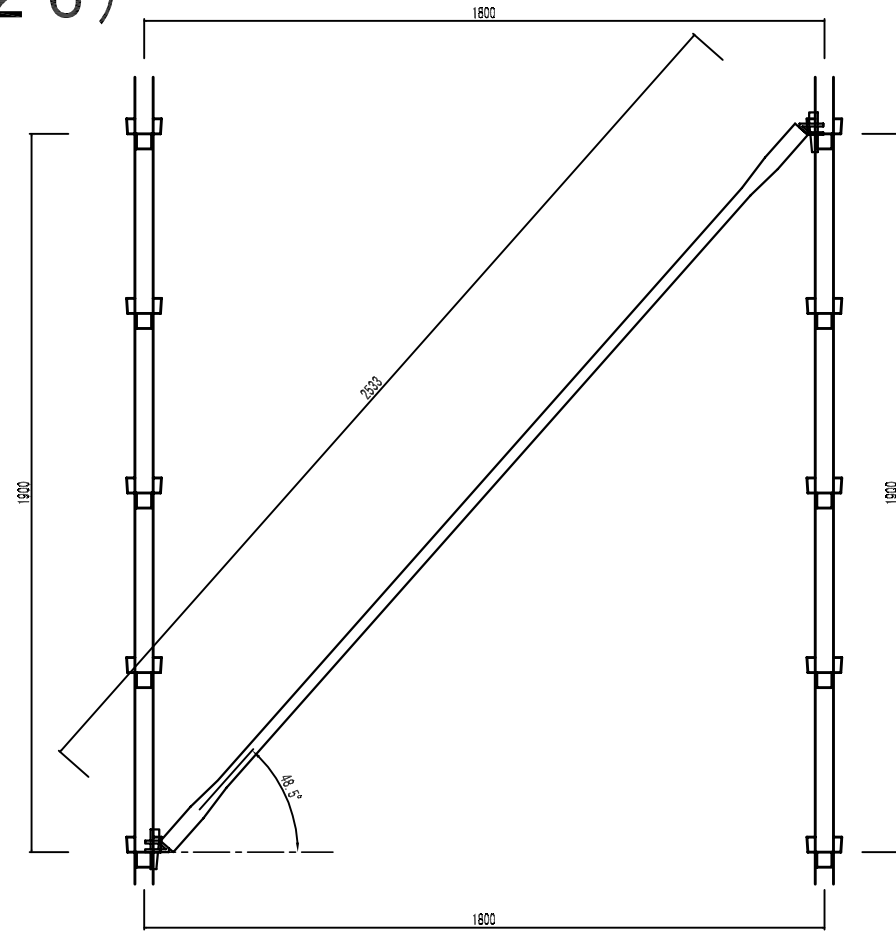
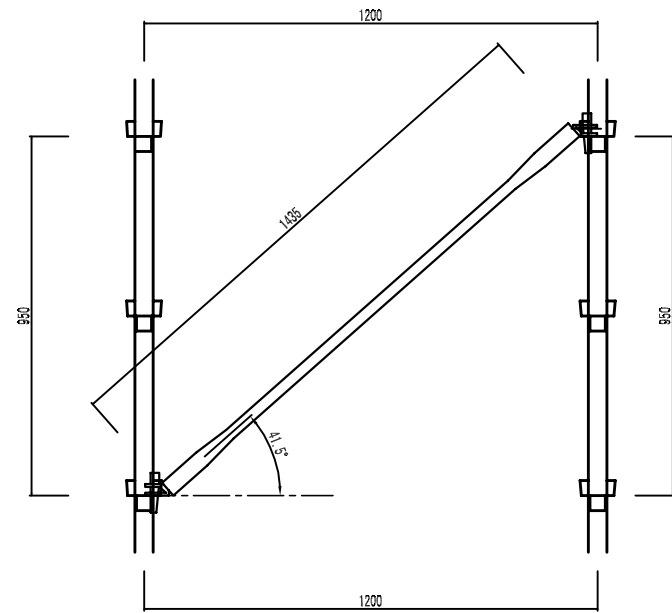


筋交 (ST-26)



筋交 (ST-15)



筋交 (ST-13)

